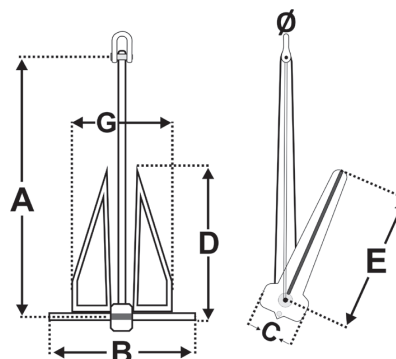


ATRAÇÃO E FUNDEIO

ANCHORING SYSTEM AND ITS COMPONENTS ON-BOARD SHIPS



ÂNCORA DANFORTH DANFORTH ANCHOR



PESO	A	B	C	D	E	G	Diâmetro da manilha
Kg	mm	mm	mm	mm	mm	mm	mm
34	1160	1000	200	741	700	420	16
45	1210	1040	220	764	720	440	16
63	1240	1080	230	813	760	480	20
91	1330	1160	240	880	820	520	25
136	1420	1240	280	935	870	590	30
182	1473	1310	292	990	920	625	30
227	1600	1380	320	1050	970	660	35
340	1720	1480	370	1129	1040	720	40
454	1830	1580	410	1206	1110	760	45
680	1960	1680	480	1280	1170	810	50
908	2110	1820	530	1391	1270	910	65
1135	2260	2140	560	1483	1350	930	65
1360	2390	2260	600	1641	1500	990	75
1590	2540	2415	640	1755	1600	1020	75
1815	2640	2500	660	1815	1660	1050	75
2045	2740	2600	685	1887	1725	1100	80
2270	2840	2700	710	1957	1790	1150	90
2725	3000	2860	760	2060	1880	1210	100
3180	3120	2960	790	2165	1970	1260	100
3630	3280	3120	830	2270	2060	1320	100
4540	3510	3220	890	2435	2210	1420	115
5445	3785	3720	960	2495	2245	1520	120
6350	3860	3860	980	2545	2290	1560	130
7260	4060	4060	1010	2845	2560	1650	130
9080	4360	4140	1110	2920	2620	1770	140
11350	4690	4450	1195	3140	2815	1905	140
13620	5320	4760	1280	3390	3040	2040	160